



Highland
RIDGE RV

Own the Outdoors



Roamer

FIFTH WHEEL INTERIOR



RF367BHS Kitchen



The Roamer line of fifth wheels is designed with the seasoned traveler in mind. You'll find floorplans designed for extended use that maximize space while keeping weight to a minimum. Wide body construction and 42" deep slides lend a sense of space that's just not achievable with lesser products. From brand name appliances to Corian® counter-tops, you'll find feature content that the accomplished RV owner will appreciate. Rugged construction, top quality materials and leading edge innovation. If you're serious about the RV lifestyle, this is your fifth wheel.



Full Extension Drawers



Optional 12 Cu. Ft. Refrigerator



Portable Island on Castors



Pull-Out Vanity



Pull-Out Pantry



RF347RES Kitchen



Optional 23 Cu. Ft. Refrigerator with water/ice dispenser



RF367BHS Bunk Room w/Party Room Package

RELIABLE COMFORTABLE ENJOYABLE



RF337RLS Bathroom



RF347RES Bedroom

TRAVEL TRAILER INTERIOR



RT323RLS Kitchen/Living Room



The Roamer travel trailer by Highland Ridge RV has set the bar again with the industry's best features and amenities in a travel trailer. Whether it is the rich Corian® countertops, amish crafted cabinetry, advanced electronics and/or 4 Seasons Package. This coach will be sure to impress even the most demanding consumer. So grab the kids or spouse and join us in experiencing the great outdoors!



Refrigerator



Pull-Out Pantry



Sofa Bed



RT323RLS



*Optional 18 Cu. Ft. Refrigerator
w/Ice Maker*



RT323RLS Bathroom



RT323RLS Pantry



RT323RLS Bedroom

EXTERIOR

FIFTH WHEEL / TRAVEL TRAILER



Outside Kitchen (Select Floorplans)



200 Cu. Ft. Exterior Storage (RF346FLR & RF376FBH)



FIFTH WHEEL HIGHLIGHTS



Exterior Convenience Center



Outside Speakers



*Optional Bedroom TV
Attached to Exterior Bracket*



20# Tanks on Slide Tray (Door Side)



JT Strong Arms

TRAVEL TRAILER HIGHLIGHTS



Exterior Convenience Center



Power Tongue Jack



*Optional Power Stabilizer Jacks w/ Lock
Arm Stabilizer Bars*



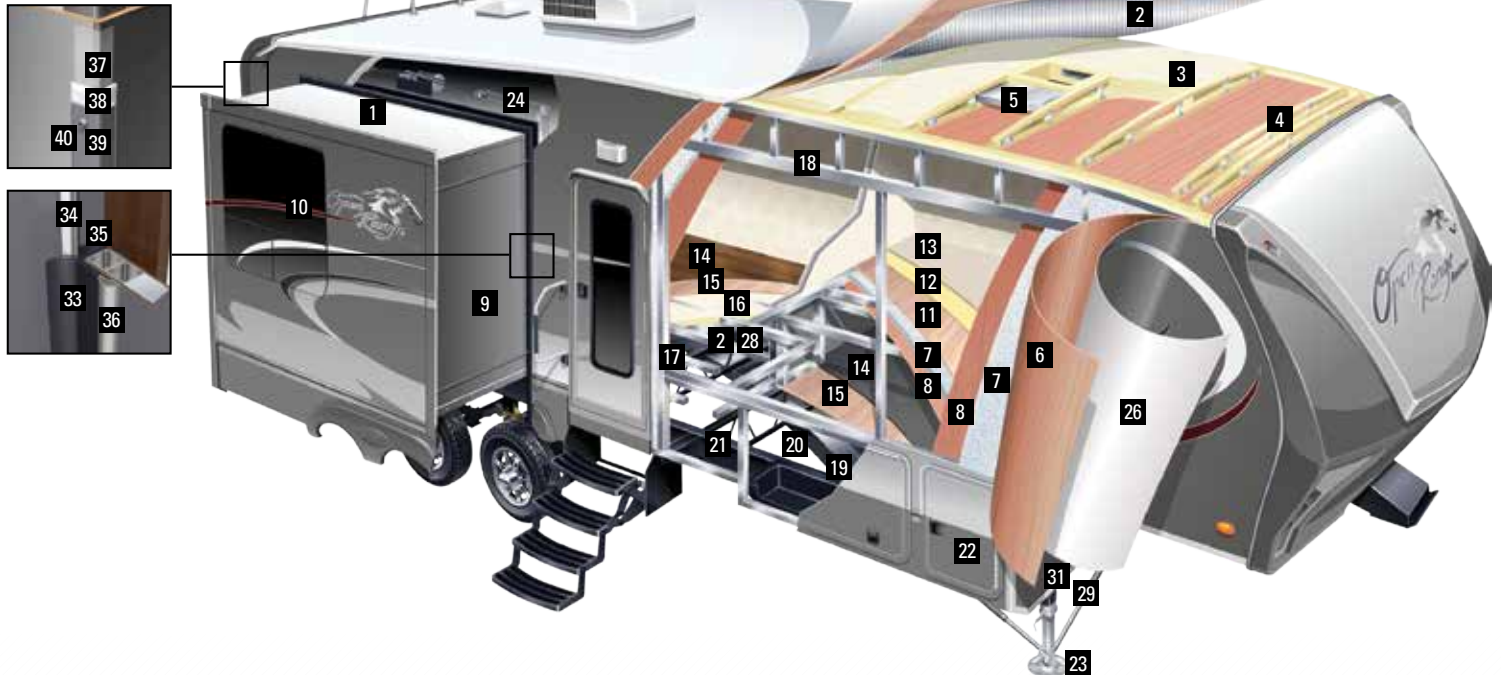
Optional BBQ Grill



*Optional One-Piece Fiberglass Front Cap
(N/A RT340FLR)*

FIFTH WHEEL CONSTRUCTION

Heating Diagram



- | | | | |
|--|---|--|---------------------------|
| 1. PVC Roof Material | 11. Double Layer Luan | 20. Polypropylene Underbelly | 29. JT Strong Arms |
| 2. R-38 Radiant Technology Insulation | 12. Residential Rebound Carpet Pad | 21. Steel I-Beam Frame | 31. TPO Under Hitch Area |
| 3. R-14 Batten Insulation | 13. Carpet | 22. 1" Thick Double Insulated
Baggage Doors | 33. Rubber Seal (Outside) |
| 4. 5" Roof Truss | 14. BeauFlor® Vinyl Flooring | 23. 9" Elephant Pad | 34. Water Dam |
| 5. Foam A/C Ducting | 15. Plywood Decking | 24. Accu-Slide Slide-Out System | 35. Rubber Seal (Inside) |
| 6. Exterior Wall Substrate | 16. R-7 Batten Insulation | 26. Lamilux 1000 Gel Coated Fiberglass | 36. Bulb Seal |
| 7. R-9 Block Foam Insulation | 17. "Darco" Anti-Puncture Material | 27. 3/4" Vapor Barrier (R-5) | 37. 3M Flashing Tape |
| 8. Luan | 18. 2" x 3" Aluminum Header | 28. 12" On Center 2" x 2"
Aluminum Floor Joists | 38. Butyl Tape |
| 9. Laminated Slide-Out End Walls (R-9) | 19. R-38 Radiant Technology Insulation
(Extreme Arctic Package)*Optional | | 39. L-Molding |
| 10. Frameless Windows | | | 40. Geo-Cell Caulk |

CONSTRUCTION FIFTH WHEEL / TRAVEL TRAILER

HEATING DIAGRAM (SHOWN ABOVE)

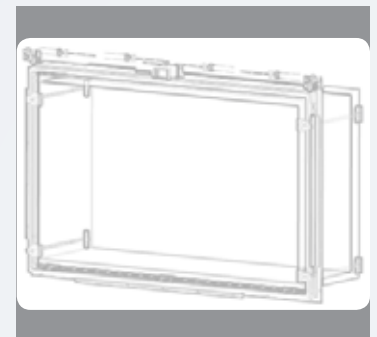
Roamer fifth wheels & travel trailers have a unique and incredible heating system. We start with a 4 inch heat duct from the furnace down the the underbelly in place of the 2 inch that some of the competitors use. All of our tanks are suspended between the I beams in the underbelly allowing us to have forced air heat blowing from the 4 inch heat duct surrounding the tanks with warm air flow.

How do we get the air flow? Simply by having a return at the end of the tanks going back into the coach. The secret is that simple. We put a return in the underbelly to allow air flow over the tanks instead of a pressurizing system that occurs in other brands.



Seal-Tite Water Shield

Seal-Tite – a semi-robotic system that makes the placement of window sealants more precise and error-free – thus eliminating the hand application of such sealants which can often result in inconsistency.

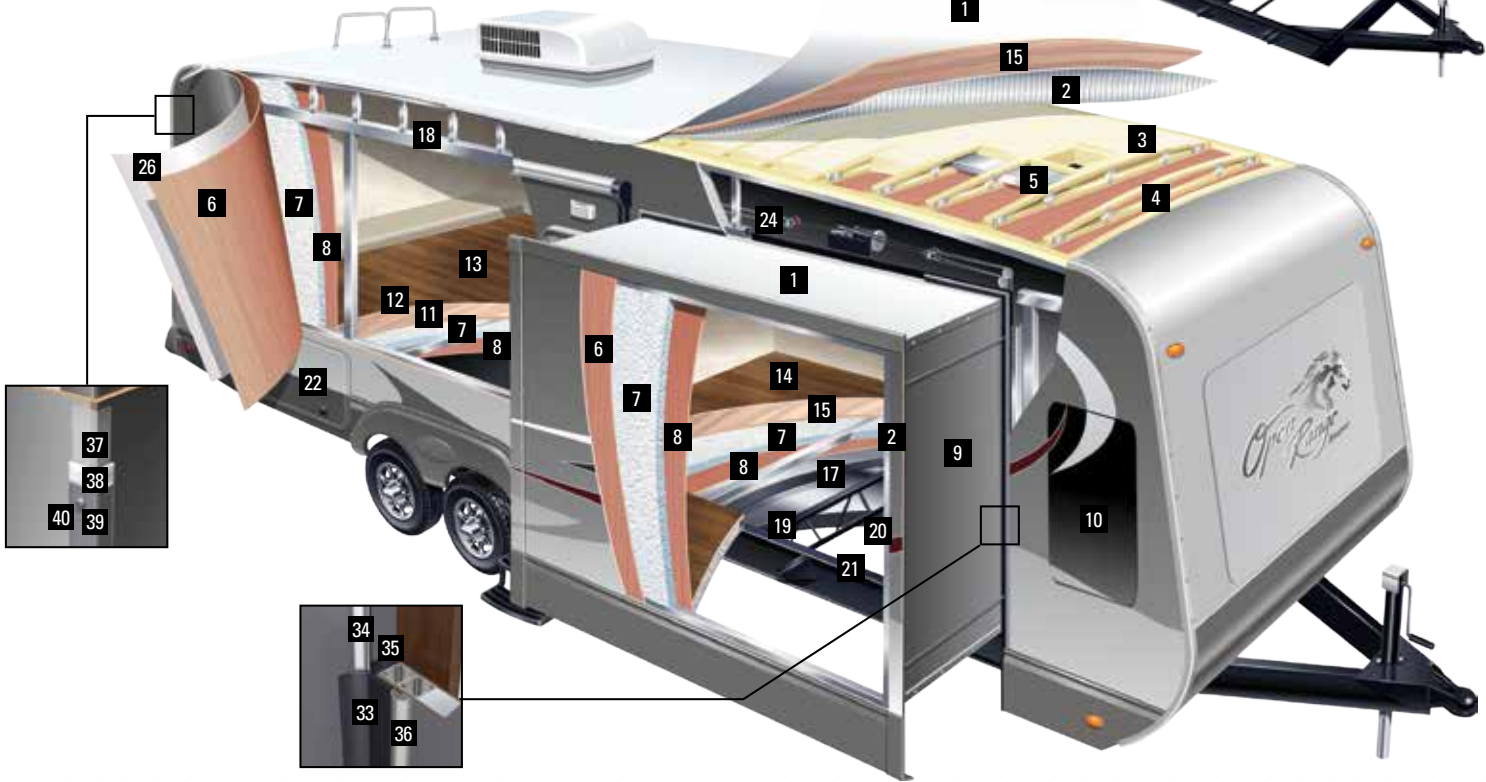


Accu-Slide

So ingeniously designed and simple to use, you're likely to think it's magic. Accu-Slide is a revolutionary, lightweight, heavy-duty system that increases quality and customer appeal through superior performance and engineering.

TRAVEL TRAILER CONSTRUCTION

Heating Diagram



- | | | | |
|--|--|---|--------------------|
| 1. PVC Roof Material | 11. Double Layer Luan | 21. Steel I-Beam Frame | 38. Butyl Tape |
| 2. R-38 Radiant Technology Insulation | 12. Residential Rebound Carpet Pad | 22. 1" Thick Double Insulated Baggage Doors | 39. L-Molding |
| 3. R-14 Batten Insulation | 13. Carpet | 24. Accu-Slide Slide-Out System | 40. Geo-Cell Caulk |
| 4. 5" Roof Truss | 14. BeauFlor® Vinyl Flooring | 26. Lamilux 1000 Gel Coated Fiberglass | |
| 5. Foam A/C Ducting | 15. Plywood Decking | 33. Rubber Seal (Outside) | |
| 6. Exterior Wall Substrate | 17. "Darco" Anti-Puncture Material | 34. Water Dam | |
| 7. R-9 Block Foam Insulation | 18. 2" x 3" Aluminum Header | 35. Rubber Seal (Inside) | |
| 8. Luan | 19. R-38 Radiant Technology Insulation (Extreme Arctic Package)*Optional | 36. Bulb Seal | |
| 9. Laminated Slide-Out End Walls (R-9) | 20. Polypropylene Underbelly | 37. 3M Flashing Tape | |
| 10. Frameless Windows | | | |



ZERO DEGREE TESTED

The Roamer was subjected to 0° F temperatures for an 8-hour period. During that time, sensors were placed throughout the coach to measure the unit's average temperature. When the test was complete, the temperature sensors found that the Four Seasons Package maintained a cozy temperature of 70° F.

THE RESULTS

BEDROOM	72°F
KITCHEN.....	70°F
SLIDE-OUT	66°F
BATHROOM	72°F
LIVING ROOM	70°F
WASTE WATER TANK	62°F
STORAGE UNDER RV	58°F

FIFTH WHEEL FLOORPLANS



RF348RLS

Ext. Length: **36'10"** Ext. Height: **155"** Unloaded Wt. (lbs.): **10,485** Sleeps: **4**



RF316RLS

Ext. Length: **31'5"** Ext. Height: **155"** Unloaded Wt. (lbs.): **9,285** Sleeps: **4**



RF367BHS

Ext. Length: **36'10"** Ext. Height: **155"** Unloaded Wt. (lbs.): **11,305** Sleeps: **8**



RF337RLS

Ext. Length: **34'** Ext. Height: **155"** Unloaded Wt. (lbs.): **9,657** Sleeps: **4**



RF376FBH

Ext. Length: **41'11"** Ext. Height: **155"** Unloaded Wt. (lbs.): **12,015** Sleeps: **8**



RF346FLR

Ext. Length: **38'1"** Ext. Height: **155"** Unloaded Wt. (lbs.): **10,245** Sleeps: **4**



RF384BHS

Ext. Length: **41'2"** Ext. Height: **155"** Unloaded Wt. (lbs.): **12,135** Sleeps: **7**



RF347RES

Ext. Length: **36'4"** Ext. Height: **155"** Unloaded Wt. (lbs.): **10,605** Sleeps: **4**



RF430RLS

Ext. Length: **42'7"** Ext. Height: **155"** Unloaded Wt. (lbs.): **11,800** Sleeps: **6**

	RF316RLS	RF337RLS	RF346FLR	RF347RES	RF348RLS	RF367BHS	RF376FBH	RF384BHS	RF430RLS
Square Feet	314	350	361	382	386	382	429	429	428
UVW	9285	9657	10245	10605	10485	11135	12015	12135	11800
Hitch Wt.	2205	2320	2312	2130	2440	2275	2665	2295	2370
Length	31'5"	34'	36'10"	36'4"	36'10"	35'3"	40'5"	39'9"	41'
Gross NCC	3200	3063	4067	3605	3510	3465	4445	3365	4290
Net NCC	2434	2277	3281	2839	2744	2679	3659	2579	3504
Fresh Water	85 Gal.	85 Gal.	85 Gal.	85 Gal.	85 Gal.	85 Gal.	85 Gal.	85 Gal.	85 Gal.
Gray Water	82 Gal.	57 Gal.	57 Gal.	57 Gal.	57 Gal.	82 Gal.	98 Gal.	82 Gal.	98 Gal.
Waste Water	41 Gal.	41 Gal.	41 Gal.	41 Gal.	41 Gal.	41 Gal.	82 Gal.	82 Gal.	41 Gal.
Sleep Cap.	4	4	4	4	4	8	8	7	6

TRAVEL TRAILER FLOORPLANS



RT288FLR
Ext. Length: **33'6"** Ext. Height: **140"** Unloaded Wt. (lbs.): **7,815** Sleeps: **4**



RT291RLS
Ext. Length: **33'6"** Ext. Height: **140"** Unloaded Wt. (lbs.): **7,865** Sleeps: **6**



RT292RLS
Ext. Length: **35'** Ext. Height: **140"** Unloaded Wt. (lbs.): **8,370** Sleeps: **4**



RT310BHS
Ext. Length: **37'3"** Ext. Height: **140"** Unloaded Wt. (lbs.): **9,265** Sleeps: **8**



RT316RLS
Ext. Length: **33'8"** Ext. Height: **140"** Unloaded Wt. (lbs.): **8,007** Sleeps: **4**



RT320RES
Ext. Length: **34'6"** Ext. Height: **140"** Unloaded Wt. (lbs.): **8,070** Sleeps: **4**



RT323RLS
Ext. Length: **37'8"** Ext. Height: **140"** Unloaded Wt. (lbs.): **8,815** Sleeps: **4**

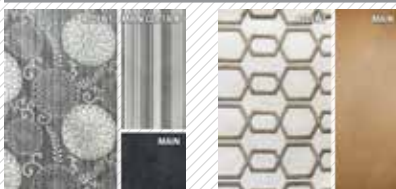


RT337RLS
Ext. Length: **32'8"** Ext. Height: **145"** Unloaded Wt. (lbs.): **8,755** Sleeps: **4**



RT340FLR
Ext. Length: **32'3"** Ext. Height: **145"** Unloaded Wt. (lbs.): **8,885** Sleeps: **4**

DÉCOR OPTIONS



GRAPHITE

MARBLE



SADDLE BROWN

	RT288FLR	RT291RLS	RT292RLS	RT310BHS	RT316RLS	RT320RES	RT323RLS	RT337RLS	RT340FLR
Square Feet	316	316	325	366	316	315	366	350	340
UVW	7815	7865	8370	9265	8007	8070	8815	8755	8885
Hitch Wt.	1000	1040	960	1210	1200	810	1035	850	1350
Length (Box)	29'10"	29'10"	32'1"	33'6"	30'1"	31'	34'8"	32'8"	32'3"
Cargo (Gross)	1963	1930	2030	2235	1983	1920	2620	4095	4465
Cargo (Net)	1488	1455	1555	1760	1508	1445	2145	3362	3732
Fresh Water	50 Gal.	50 Gal.	50 Gal.	50 Gal.	50 Gal.	50 Gal.	50 Gal.	81	81
Gray Water	62 Gal.	62 Gal.	62 Gal.	62 Gal.	57 Gal.	62 Gal.	88 Gal.	57	57
Waste Water	31 Gal.	31 Gal.	31 Gal.	31 Gal.	31 Gal.	31 Gal.	31 Gal.	41	41
Sleep Cap.	4	6	4	8	4	4	4	4	4

TRAVEL TRAILER STANDARD FEATURES

- » "Maxx Air" Vent Cover
- » 100" Wide Body Frame
- » 15" Aluminum Wheels & Tires (16" 337&340)
- » 50 Amp Service
- » 60 Lbs of LP Capacity
- » Ext. Utility Center w/Black Tank Flush
- » Fantastic Fan in Kitchen (340)
- » Fireplace (Most Models)
- » Front & Rear Stab Jacks
- » Heavy Duty Full Extension Drawer Guides
- » Large Lavatory Sink
- » Lippert Equa-Flex Suspension
- » Lippert Wide-Stance Axles
- » LP Quick Connect
- » Nitrogen Filled Radial Tires
- » Porcelain Toilet w/Foot Pedal Flush
- » Power Tongue Jack
- » Prepped for Observation Camera
- » PVC Roof Material

SHARED MANDATORY PACKAGES

EXECUTIVE PACKAGE

- » 12V CD/DVD Player w/Bluetooth®
- » 15k BTU A/C w/"Quick Cool" Feature
- » 20 GPH Quick Recovery Gas/Electric Water Heater (18GPH TT)
- » 30" OTR Microwave (FW)
- » Bedroom Speakers
- » Corian® Countertops (FW)
- » Crown Molding
- » Digital TV Antenna w/Booster
- » Fantastic Fan in Kitchen (FW)
- » Flat Screen TV in Living Area
- » Frameless Windows
- » Full View Vented Entrance Door
- » Large 8 Cu. Ft. Refrigerator
- » LED Lighting in Ceiling
- » Longitude Power Awning w/LED Awning Light & Flex Guard
- » Multi-Port Satellite Hook-Up
- » One-Touch Automatic Leveling System (FW)
- » USB/12V Charging Port
- » Western Aspen Cabinet Doors
- » Wired and Framed for 2nd A/C

TRAVEL TRAILER OPTIONAL FEATURES

- » 15k BTU Main A/C
- » 2 Bar Stools
- » 24" Bedroom TV
- » 2nd A/C (13.5k BTU Ducted)
- » Appliance Package (23cu SS Refer, 17" SS Oven, & SS Microwave)(323)
- » BBQ Grill
- » Ceiling Fan (340 Only)
- » Coffee Table Ottoman w/ Storage
- » Corian® Sink Covers
- » Corian® Island on Castors (337,340)
- » Dual Pane Windows
- » Dyson Vacuum Cleaner
- » Extreme Arctic Package
- » Fantastic Fan(s)
- » French Door(s)
- » Ladder
- » Lock Arm Stabilizers
- » Observation Camera
- » One-Piece Fiberglass Front Cap (N/A 340)
- » One-Piece Neo-Round Shower (337,340)
- » Party Room Package (310)
- » Power Front & Rear Stab Jacks
- » Rear Storage Tray
- » Slide-Out Awning Covers
- » Wall-Mount Fireplace (288,291,310)

FIFTH WHEEL STANDARD FEATURES

- » "Maxx Air" Vent Cover
- » 100" Wide Body Frame
- » 16" Aluminum Tires & Wheels
- » 50 Amp Service
- » 60 Lbs of LP Capacity
- » Ext. Utility Center w/Black Tank Flush
- » Fireplace (Most Models)
- » Heavy Duty Full Extension Drawer Guides
- » Ladder
- » Large Lavatory Sink
- » Lippert Equa-Flex Suspension
- » Lippert Wide-Stance Axles
- » LP Quick Connect
- » Nitrogen Filled Radial Tires
- » Porcelain Toilet w/Foot Pedal Flush
- » Prepped for Observation Camera
- » PVC Roof Material

FOUR SEASONS PACKAGE

- » Atwood® High Performance Furnace
- » Digital Thermostat
- » Double Insulated Baggage Doors
- » Heated & Enclosed Dump Valves
- » Heated and Enclosed Underbelly
- » Heated Storage Area (FW)
- » Insulated Slide Floors
- » R-38 Insulation in Roof & Floor
- » R-9 Insulation in Sidewall

FIFTH WHEEL OPTIONAL FEATURES

- » 2 Bar Stools
- » 24" Bedroom TV
- » 2nd A/C (13.5k BTU Ducted)
- » 39" Outside TV (346)
- » 3rd A/C (13.5k BTU Ducted) (Select Models)
- » Appliance Package (23cu SS Refer, 17" SS Oven, & 30" OTR SS Microwave)(Select Models)
- » BBQ Grill
- » Ceiling Fan
- » Coffee Table Ottoman w/Storage
- » Corian® Island on Castors (337,430)
- » Dual Pane Windows
- » Dyson Vacuum Cleaner
- » Extreme Arctic Package
- » Fantastic Fan(s)
- » French Door(s)
- » King Bed IPO Queen Bed (430)
- » LP Generator Prep
- » Observation Camera
- » One-Piece Neo-Round Shower (316,346)
- » Party Room Package (367)
- » Rear Storage Tray
- » Slide-Out Awning Covers
- » Wall-Mount Fireplace (367,384)



At Highland Ridge RV, Inc., we are one of the few manufacturers that have a 2-Year Limited Transferable Warranty. Ensuring our customers that we will stand behind our product for twice the amount of time that other manufacturers offer.

MORE ROOM LESS WEIGHT

This is our mission at Highland Ridge RV, Inc. It's the life blood that runs in our veins. It drives us to innovate and revolutionize the RV industry and it's why our products are 10 - 15% lighter than the competition.

Your Open Range Roamer Dealer:



Highland RIDGE RV

Own the Outdoors

For more information visit us at:
www.HighlandRidgeRV.com



Due to continual research and advances, manufacturer reserves the right to change specifications, design, price, and equipment without notice, and assumes no responsibility for any error in the literature. Some items shown are not included as standard or optional equipment.