



Highland

RIDGE RV

Own the Outdoors



FIFTH WHEEL INTERIOR



LF319RLS Living Room



The Open Range Light series of fifth wheels and travel trailers are the ultimate in lightweight towing and luxury. Designed specifically for late-model half ton pick ups, these units are the perfect example of what we have always stood for. More room and less weight. No other RV manufacturer packs as much into their lightweight units as we do. Come see why the Light series by Highland Ridge RV is the ultimate in lightweight RV'S.



LF319RLS Portable Island



TV Storage



Washer/Dryer Prep (Most Models)



LF297RLS Portable Table



LF319RLS Pantry

LF319RLS Kitchen



LF297RLS Living Room

RELIABLE COMFORTABLE ENJOYABLE



LF319RLS Bathroom



LF319RLS Bedroom

TRAVEL TRAILER INTERIOR



LT272RLS Living/Kitchen



Our Open Range Light Travel Trailers are a 1/2 ton towable, 4 seasons unit loaded with high-end amenities. Our 100" wide body and 42" main slide out give us more room than the competition. Frameless windows, laminated sidewalls, pressed membrane countertops, power tongue jack and LED lighting in the electric awning make traveling in your light travel trailer, Simply Elegant . From the LT216RBS to the LT308BHS you're sure to find a floor plan that works for your needs!



LT216RBS Sofa Bed



LT216RBS Bathroom



LT308BHS Bunk Room



TV Storage



LT272RLS Bedroom



LT272RLS Bathroom



LT216RBS Living Room

EXTERIOR

FIFTH WHEEL / TRAVEL TRAILER



Outside Kitchen (Select Floorplans)



"King Combo" Pin Box



90° Turn Radius in 5.5' Short Bed 1/2 Ton



FIFTH WHEEL HIGHLIGHTS



Exterior Convenience Center



Optional Power Rear Stabilizer Jacks



Power Front Jacks w/ Lock Arm Stabilizer Bars



Optional Bedroom TV Attached to Exterior Bracket

TRAVEL TRAILER HIGHLIGHTS



Exterior Convenience Center



Power Tongue Jack



Optional Power Stabilizer Jacks w/ Lock Arm Stabilizer Bars

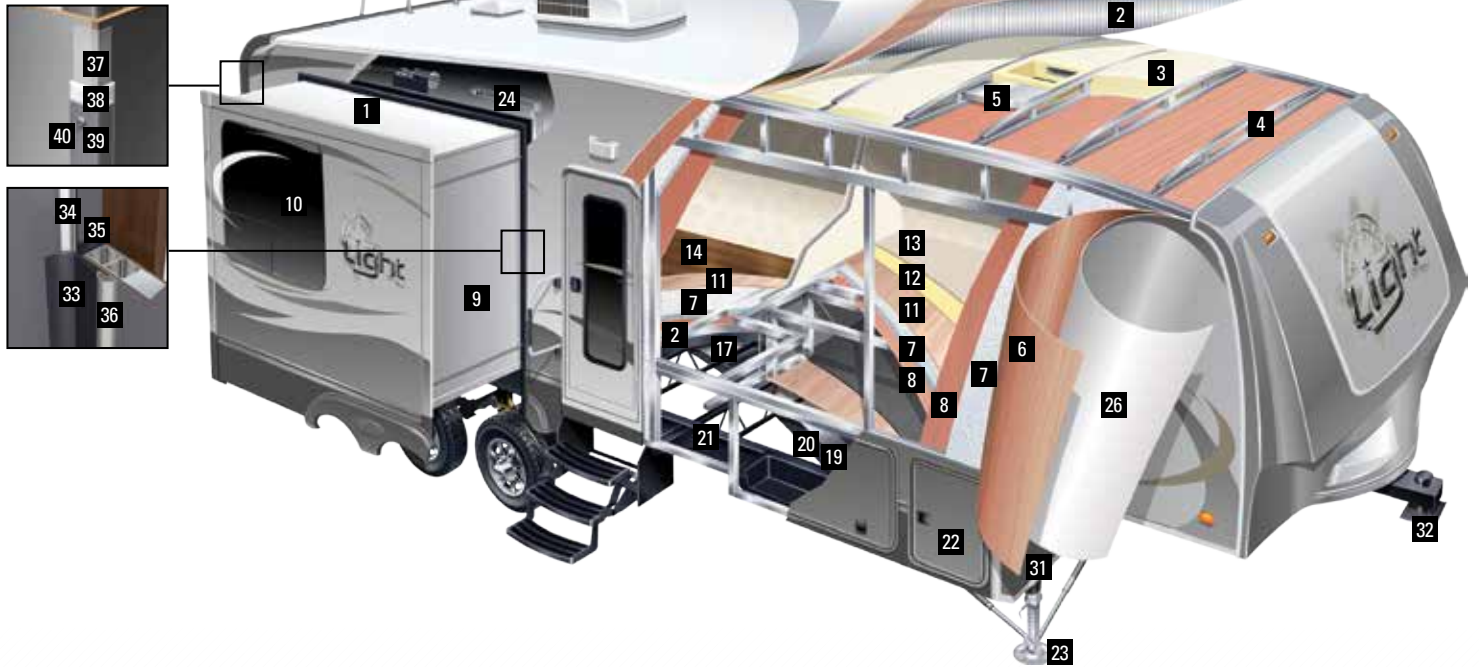


Optional BBQ Grill



Optional One-Piece Fiberglass Front Cap

FIFTH WHEEL CONSTRUCTION



- | | | | |
|--|---|--|--------------------------|
| 1. PVC Roof Material | 11. Double Layer Luan | 21. Steel I-Beam Frame | 35. Rubber Seal (Inside) |
| 2. R-38 Radiant Technology Insulation | 12. Residential Rebound Carpet Pad | 22. 1" Thick Double Insulated
Baggage Doors | 36. Bulb Seal |
| 3. R-14 Batten Insulation | 13. Carpet | 23. 9" Elephant Pad | 37. 3M Flashing Tape |
| 4. 5" Roof Truss | 14. BeauFlor® Vinyl Flooring | 24. Accu-Slide Slide-Out System | 38. Butyl Tape |
| 5. Foam A/C Ducting | 15. Plywood Decking | 26. Lamilux 1000 Gel Coated Fiberglass | 39. L-Molding |
| 6. Exterior Wall Substrate | 17. "Darco" Anti-Puncture Material | 31. TPO Under Hitch Area | 40. Geo-Cell Caulk |
| 7. R-9 Block Foam Insulation | 18. 2" x 3" Aluminum Header | 32. "King Combo" Pin Box | |
| 8. Luan | 19. R-38 Radiant Technology Insulation
(Extreme Arctic Package)*Optional | 33. Rubber Seal (Outside) | |
| 9. Laminated Slide-Out End Walls (R-9) | 20. Polypropylene Underbelly | 34. Water Dam | |
| 10. Frameless Windows | | | |

CONSTRUCTION FIFTH WHEEL / TRAVEL TRAILER

HEATING DIAGRAM (SHOWN ABOVE)

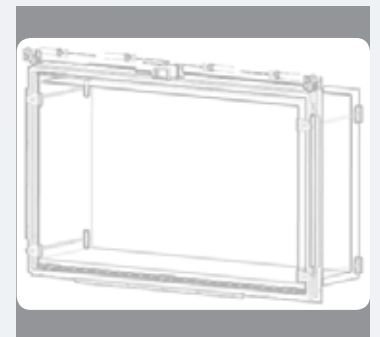
Light fifth wheels & travel trailers have a unique and incredible heating system. We start with a 4 inch heat duct from the furnace down the the underbelly in place of the 2 inch that some of the competitors use. All of our tanks are suspended between the I beams in the underbelly allowing us to have forced air heat blowing from the 4 inch heat duct surrounding the tanks with warm air flow.

How do we get the air flow? Simply by having a return at the end of the tanks going back into the coach. The secret is that simple. We put a return in the underbelly to allow air flow over the tanks instead of a pressurizing system that occurs in other brands.



Seal-Tite Water Shield

Seal-Tite – a semi-robotic system that makes the placement of window sealants more precise and error-free – thus eliminating the hand application of such sealants which can often result in inconsistency.

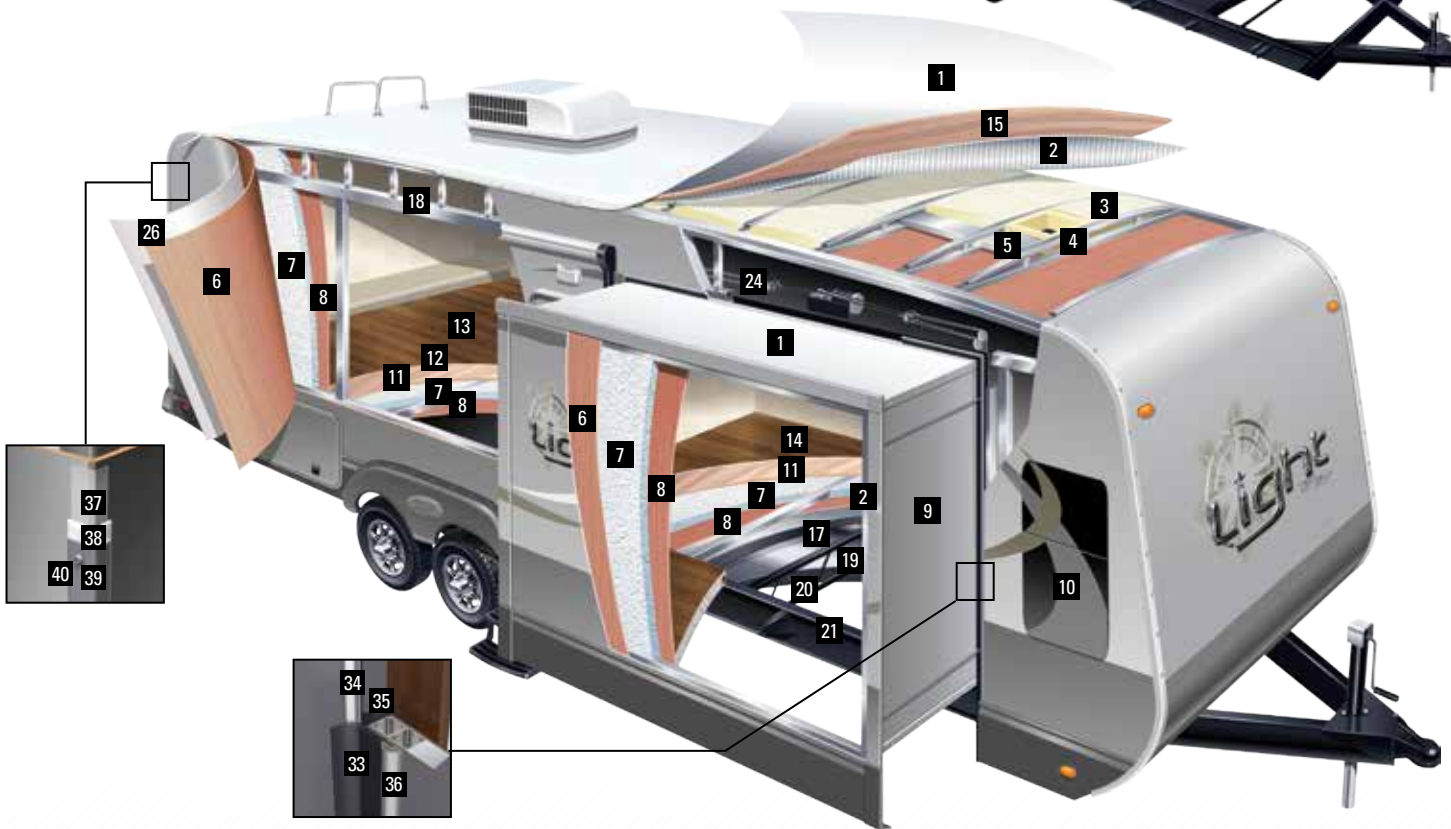
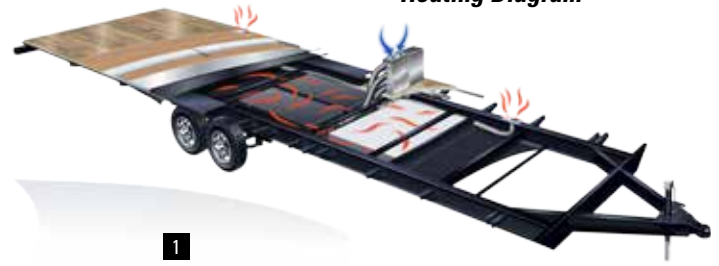


Accu-Slide

So ingeniously designed and simple to use, you're likely to think it's magic. Accu-Slide is a revolutionary, lightweight, heavy-duty system that increases quality and customer appeal through superior performance and engineering.

TRAVEL TRAILER CONSTRUCTION

Heating Diagram



- | | | | |
|---------------------------------------|--|--|---------------------------|
| 1. PVC Roof Material | 9. Laminated Slide-Out End Walls (R-9) | 17. "Darco" Anti-Puncture Material | 33. Rubber Seal (Outside) |
| 2. R-38 Radiant Technology Insulation | 10. Frameless Windows | 18. 2" x 3" Aluminum Header | 34. Water Dam |
| 3. R-14 Batten Insulation | 11. Double Layer Luan | 19. R-38 Radiant Technology Insulation (Extreme Arctic Package)*Optional | 35. Rubber Seal (Inside) |
| 4. 5" Roof Truss | 12. Residential Rebound Carpet Pad | 20. Polypropylene Underbelly | 36. Bulb Seal |
| 5. Foam A/C Ducting | 13. Carpet | 21. Steel I-Beam Frame | 37. 3M Flashing Tape |
| 6. Exterior Wall Substrate | 14. BeauFlor® Vinyl Flooring | 24. Accu-Slide Slide-Out System | 38. Butyl Tape |
| 7. R-9 Block Foam Insulation | 15. Plywood Decking | 26. Lamilux 1000 Gel Coated Fiberglass | 39. L-Molding |
| 8. Luan | 16. R-7 Batten Insulation | | 40. Geo-Cell Caulk |



ZERO DEGREE TESTED

The Light was subjected to 0° F temperatures for an 8-hour period. During that time, sensors were placed throughout the coach to measure the unit's average temperature. When the test was complete, the temperature sensors found that the Four Seasons Package maintained a cozy temperature of 70° F.

THE RESULTS

BEDROOM	72°F
KITCHEN.....	70°F
SLIDE-OUT	66°F
BATHROOM	72°F
LIVING ROOM	70°F
WASTE WATER TANK	62°F
STORAGE UNDER RV	58°F

TRAVEL TRAILER FLOORPLANS



LT216RBS

Ext. Length: **26'1"** Ext. Height: **138"** Unloaded Wt. (lbs.): **6,035** Sleeps: **4**



LT282RKS

Ext. Length: **35'10"** Ext. Height: **138"** Unloaded Wt. (lbs.): **7,375** Sleeps: **6**



LT272RLS

Ext. Length: **35'** Ext. Height: **138"** Unloaded Wt. (lbs.): **7,755** Sleeps: **6**



LT308BHS

Ext. Length: **37'3"** Ext. Height: **138"** Unloaded Wt. (lbs.): **8,735** Sleeps: **8**



LT274RLS

Ext. Length: **31'8"** Ext. Height: **138"** Unloaded Wt. (lbs.): **6,780** Sleeps: **4**



	LT216RBS	LT272RLS	LT274RLS	LT282RKS	LT308BHS
Square Feet	224	325	275	309	357
UVW	6035	7755	6780	7375	8735
Hitch Wt.	650	830	850	740	995
Length (Box)	22'7"	32'	27'11"	32'10"	33'6"
Cargo (Gross)	2960	2235	2020	3525	1260
Cargo (Net)	2485	1760	1545	3050	785
Fresh Water	50 Gal.	50 Gal.	50 Gal.	50 Gal.	50 Gal.
Gray Water	62 Gal.	62 Gal.	31 Gal.	62 Gal.	62 Gal.
Waste Water	31 Gal.	31 Gal.	31 Gal.	31 Gal.	31 Gal.
Sleep Cap.	5	6	4	6	8

FIFTH WHEEL FLOORPLANS



LF297RLS

Ext. Length: **31'8"** Ext. Height: **149"** Unloaded Wt. (lbs.): **7,485** Sleeps: **4**



LF318RLS

Ext. Length: **33'10"** Ext. Height: **149"** Unloaded Wt. (lbs.): **7,895** Sleeps: **4**



LF311FLR

Ext. Length: **35'** Ext. Height: **149"** Unloaded Wt. (lbs.): **8,615** Sleeps: **4**



LF319RLS

Ext. Length: **35'8"** Ext. Height: **149"** Unloaded Wt. (lbs.): **8,515** Sleeps: **4**



LF315BHS

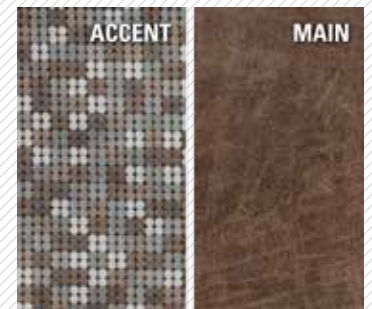
Ext. Length: **35'10"** Ext. Height: **149"** Unloaded Wt. (lbs.): **8,900** Sleeps: **6**

DÉCOR OPTIONS



IVORY

LIMESTONE



SONIC

	LF297RLS	LF311FLR	LF315BHS	LF318RLS	LF319RLS
Square Feet	282	336	336	313	352
UVW	7485	8615	8900	7895	8515
Hitch Wt.	1420	1465	1360	1510	1235
Length (Box)	27'8"	32'2"	31'11"	29'10"	31'7"
Cargo (Gross)	2510	3285	2095	2100	2480
Cargo (Net)	2035	2810	1620	1625	2005
Fresh Water	50 Gal.	50 Gal.	50 Gal.	50 Gal.	50 Gal.
Gray Water	57 Gal.	62 Gal.	62 Gal.	57 Gal.	57 Gal.
Waste Water	31 Gal.	31 Gal.	62 Gal.	31 Gal.	31 Gal.
Sleep Cap.	4	4	6	4	4

TRAVEL TRAILER STANDARD FEATURES

- » *Late Model 1/2 Ton Towable*
- » "Maxx Air" Vent Cover
- » 100" Wide Body Frame
- » 50 Amp Service
- » 60 Lbs of LP Capacity
- » Ext. Utility Center w/Black Tank Flush
- » Fireplace (272,274)
- » Front & Rear Stabilizer Jacks
- » Lippert Equa-Flex Suspension
- » Lippert Wide-Stance Axles
- » LP Quick Connect
- » Nitrogen Filled Radial Tires
- » Porcelain Toilet w/Foot Pedal Flush
- » Power Tongue Jack
- » Prepped for Observation Camera
- » PVC Roof Material

TRAVEL TRAILER OPTIONAL FEATURES

- » 15k Main A/C
- » 2 Extra Folding Chairs
- » 24" Bedroom TV
- » 2nd A/C (13.5k BTU Ducted)
- » BBQ Grill
- » Coffee Table Ottoman w/Storage
- » Dual Pane Windows
- » Dyson Vacuum Cleaner
- » Extreme Arctic Package
- » Fantastic Fan(s)
- » French Door(s)
- » Ladder
- » Lock Arm Stabilizer Bars
- » Observation Camera
- » One-Piece Fiberglass Front Cap
- » Party Room Package (308)
- » Power Front & Rear Stabilizer Jacks
- » Rear Storage Tray
- » Spare Tire
- » U-Lounge w/ Recliner Ends (Std.308)(Select Models)
- » Wall-Mount Fireplace (216,308)

SHARED MANDATORY PACKAGES

EXECUTIVE PACKAGE

- » 12V CD/DVD Player w/Bluetooth®
- » 18 GPH Quick Recovery Gas/Electric Water Heater
- » Bedroom Speakers
- » Concealed Hinges
- » Crown Molding
- » Digital TV Antenna w/Booster
- » Fantastic Fan in Kitchen (FW)
- » Flat Screen TV in Living Area
- » Frameless Windows
- » Full View Vented Entrance Door
- » Large 8 Cu. Ft. Refrigerator
- » LED Lighting in Ceiling
- » Longitude Power Awning w/LED Awning Light & Flex Guard
- » Multi-Port Satellite Hook-Up
- » Soundbar in Living Room
- » USB/12V Charging Port
- » Western Aspen Cabinet Doors
- » Wired and Framed for 2nd A/C

FIFTH WHEEL STANDARD FEATURES

- » *Late Model 1/2 Ton Towable*
- » "King Combo" Pin Box
- » "Maxx Air" Vent Cover
- » 100" Wide Body Frame
- » 50 Amp Service
- » 60 Lbs of LP Capacity
- » 90° Turn Radius in 5.5' Bed
- » Ext. Utility Center w/Black Tank Flush
- » Fireplace (Most Models)
- » Generator Prep Capable
- » Ladder
- » Lippert Equa-Flex Suspension
- » Lippert Wide-Stance Axles
- » LP Quick Connect
- » Nitrogen Filled Radial Tires
- » Porcelain Toilet w/Foot Pedal Flush
- » Prepped for Observation Camera
- » PVC Roof Material
- » Spare Tire
- » Stabilizing System
- » Washer/Dryer Prep (Most Models)

FIFTH WHEEL OPTIONAL FEATURES

- » 15k Main A/C
- » 24" Bedroom TV
- » 2nd A/C (13.5k BTU Ducted)
- » 39" Outside TV (311)
- » BBQ Grill
- » Coffee Table Ottoman w/Storage
- » Dual Pane Windows
- » Dyson Vacuum Cleaner
- » Extreme Arctic Package
- » Fantastic Fan(s)
- » Folding Chairs (2 Extra)
- » French Door(s)
- » Lock Arm Stabilizer Bars
- » LP Generator Prep
- » Observation Camera
- » Power Rear Stabilizer Jacks
- » Rear Storage Tray
- » Wall-Mount Fireplace (315)

FOUR SEASONS PACKAGE

- » Atwood® High Performance Furnace
- » Digital Thermostat
- » Double Insulated Baggage Doors
- » Heated & Enclosed Dump Valves
- » Heated and Enclosed Underbelly
- » Heated Storage Area (FW)
- » Insulated Slide Floors
- » R-38 Insulation in Roof & Floor
- » R-9 Insulation in Sidewall



At Highland Ridge RV, Inc., we are one of the few manufacturers that have a 2-Year Limited Transferable Warranty. Ensuring our customers that we will stand behind our product for twice the amount of time that other manufacturers offer.

MORE ROOM LESS WEIGHT

This is our mission at Highland Ridge RV, Inc. It's the life blood that runs in our veins. It drives us to innovate and revolutionize the RV industry and it's why our products are 10 - 15% lighter than the competition.

Your Open Range Light Dealer:



Highland RIDGE RV

Own the Outdoors

For more information visit us at:
www.HighlandRidgeRV.com

